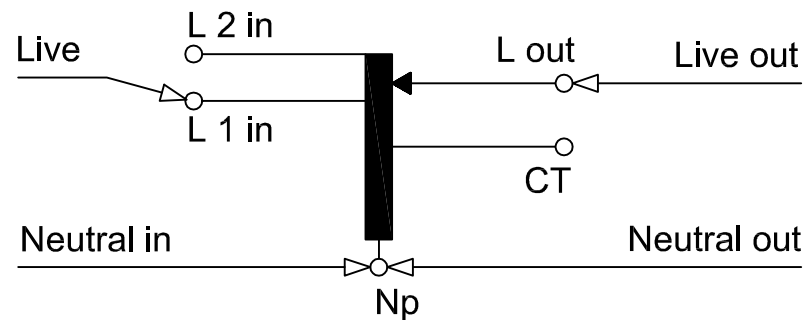
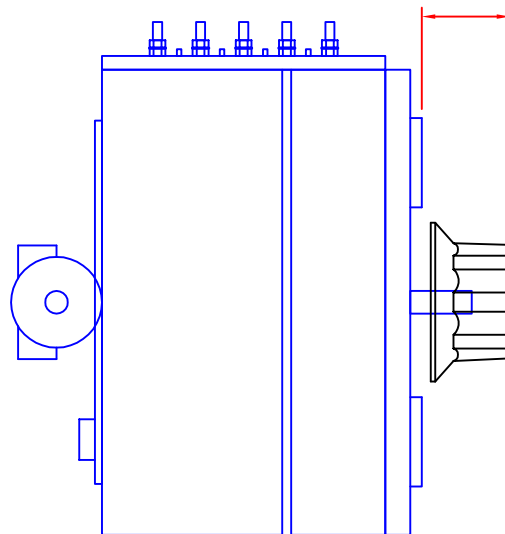
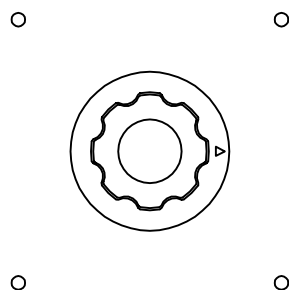
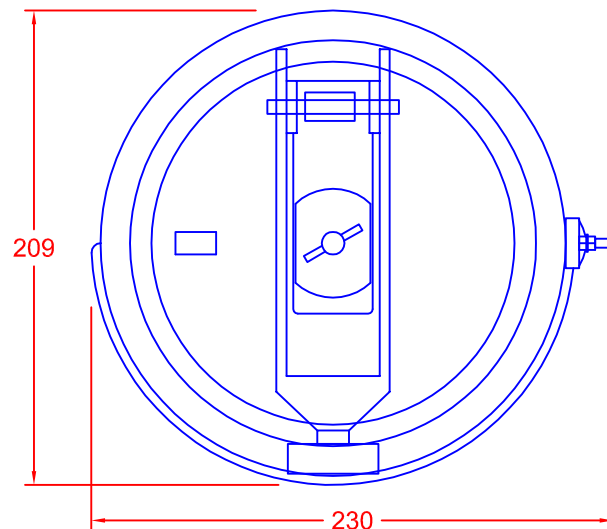
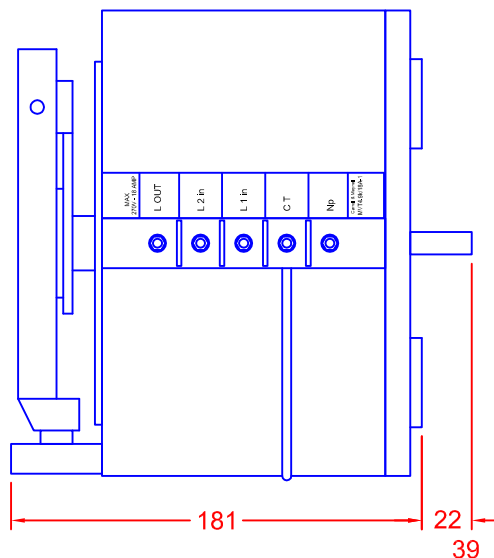
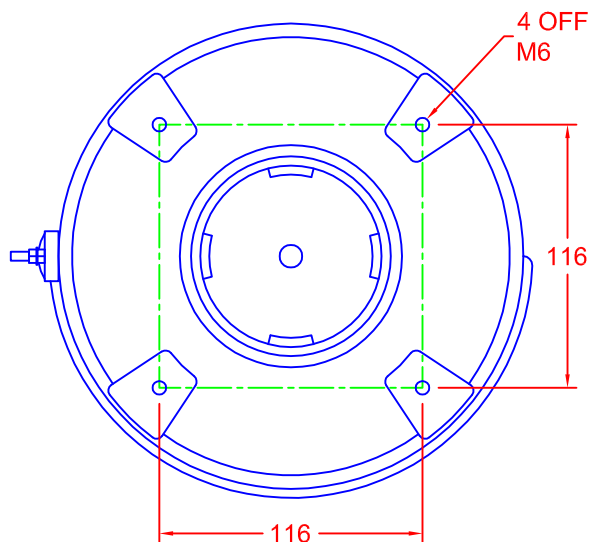


TOLERANCES (UNLESS SPECIFIED)	
0-10mm	±0.2mm
10.1-50mm	±0.5mm
50.1-250mm	±1.0mm
>250mm	±2.0mm



SINGLE PHASE VARIABLE AUTOTRANSFORMER

MODEL: MVT4.9k/18A-1
INPUT: UP TO 240V, 50/60Hz
OUTPUT: 0-100% OF INPUT (USE L 2 in) OR
 0-112% OF INPUT (USE L 1 in)
RATING: 4.9kVA AT 270V, 18A MAX
TERMINATION: M4 THREADED STUDS

REV	DESCRIPTION
4	
3	
2	
1	STUD TERMINALS, GB 6/10/17

CARROLL & MEYNELL
 TRANSFORMERS LIMITED
 TEL: 01642 617406 FAX: 01642 614178
 enquiries@carroll-meynell.com

TITLE
 VARIABLE TRANSFORMER
 18A
 ALL DIMENSIONS IN mm

DRAWN	PROJECTION	DATE	SCALE
SH		16/12/15	NTS
DRAW No	REV	PAGE	
7503	1	1/1	