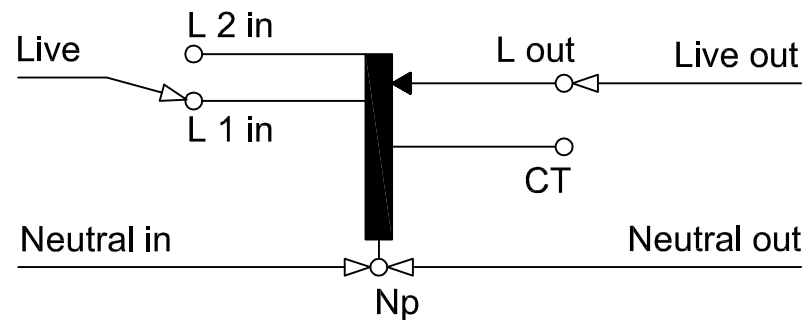
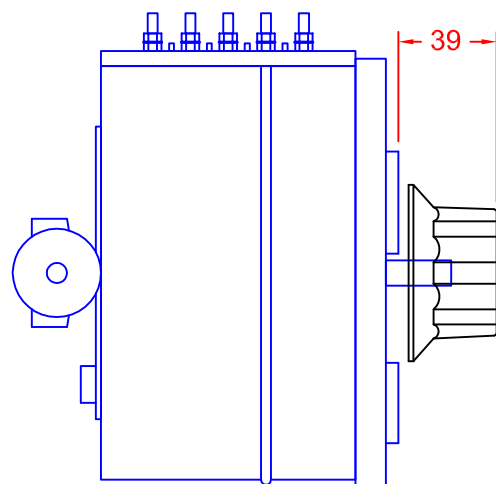
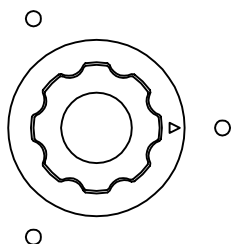
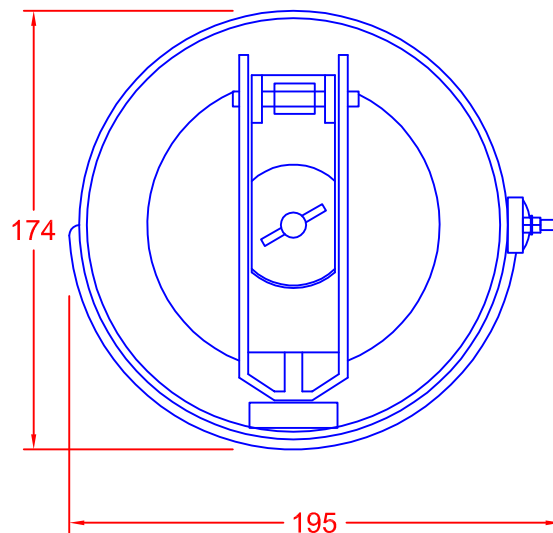
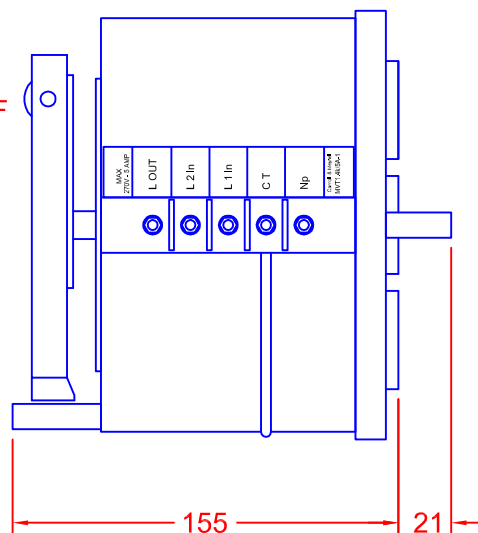
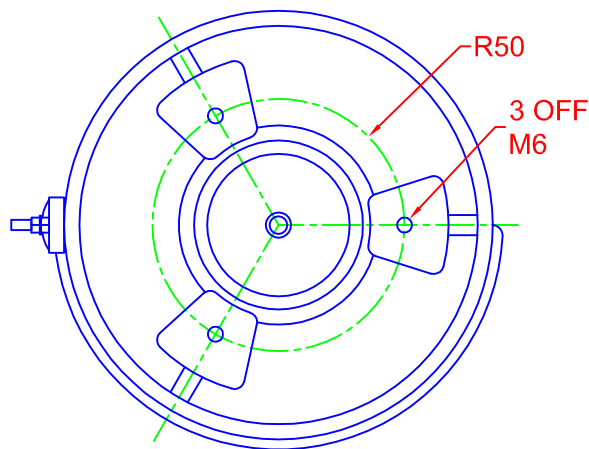


TOLERANCES (UNLESS SPECIFIED)	
0-10mm	±0.2mm
10.1-50mm	±0.5mm
50.1-250mm	±1.0mm
>250mm	±2.0mm



**SINGLE PHASE VARIABLE AUTOTRANSFORMER**

**MODEL:** MVT1.4k/5A-1  
**INPUT:** UP TO 240V, 50/60Hz  
**OUTPUT:** 0-100% OF INPUT (USE L 2 in) OR  
 0-112% OF INPUT (USE L 1 in)  
**RATING:** 1.4kVA AT 270V, 5A MAX  
**TERMINATION:** M4 THREADED STUDS

REV	DESCRIPTION
4	
3	
2	
1	STUD TERMINALS, GB 6/10/17

**CARROLL & MEYNELL**  
 TRANSFORMERS LIMITED  
 TEL: 01642 617406 FAX: 01642 614178  
 enquiries@carroll-meynell.com

**TITLE**  
 VARIABLE TRANSFORMER  
 5A  
 ALL DIMENSIONS IN mm

DRAWN	PROJECTION	DATE	SCALE
SH		16/12/15	NTS
DRAW No	REV	PAGE	
7501	1	1/1	