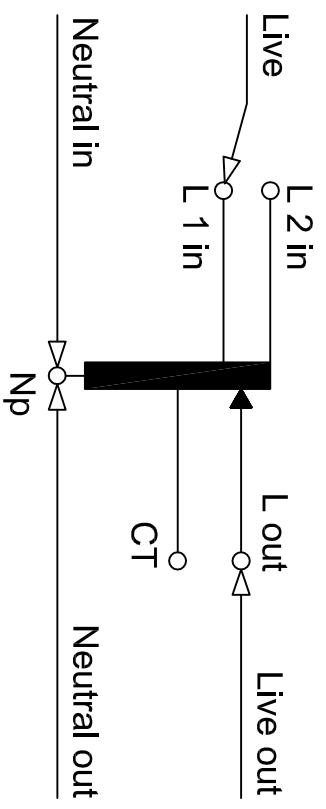
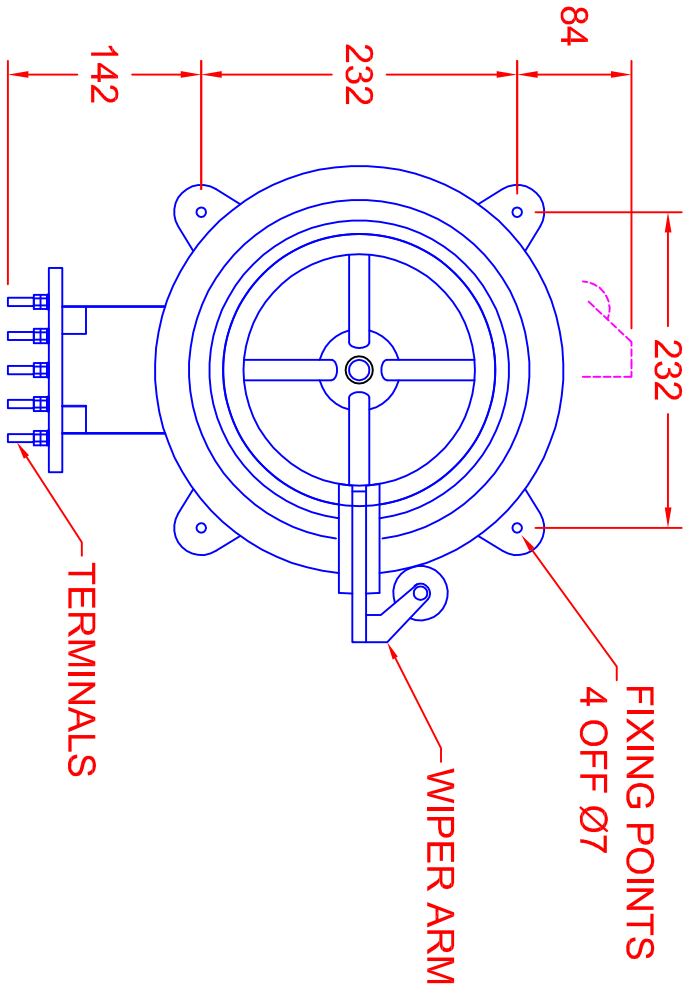
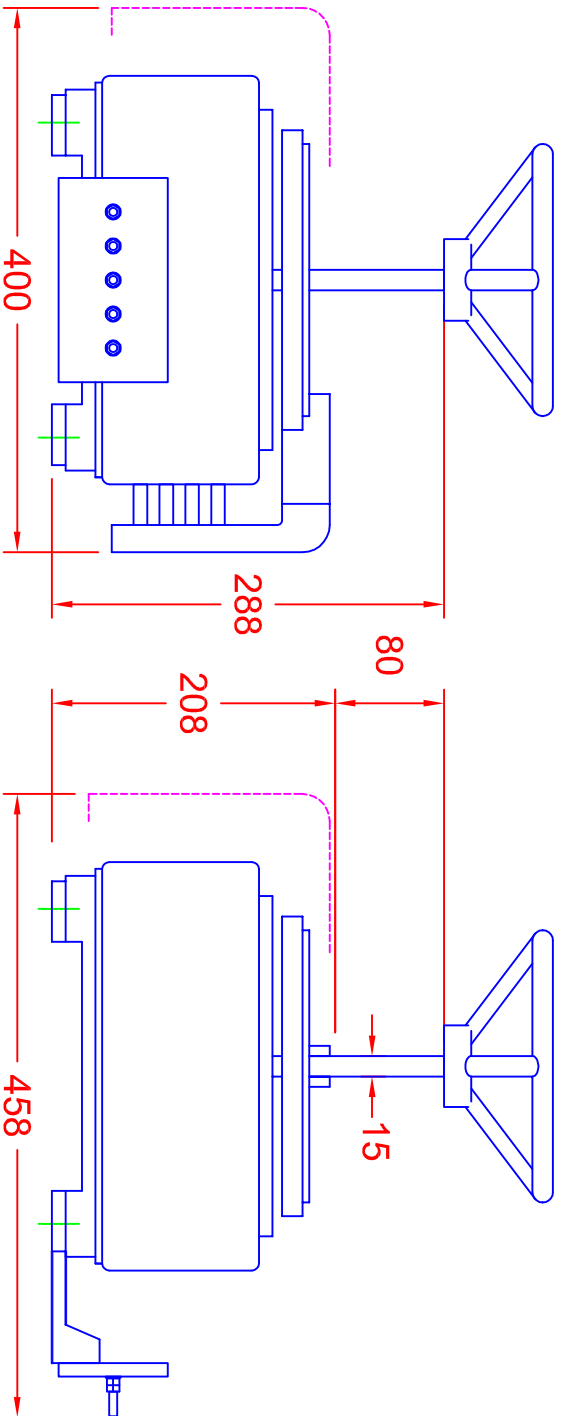


TOLERANCES (UNLESS SPECIFIED)	
0-10mm	±0.2mm
10.1-50mm	±0.5mm
50.1-250mm	±1.0mm
>250mm	±2.0mm



SINGLE PHASE VARIABLE AUTOTRANSFORMER
 MODEL: MVT8.1K/30A-1
 INPUT: UP TO 240V, 50/60Hz
 OUTPUT: 0-100% OF INPUT (USE L 2 in) OR 0-112% OF INPUT (USE L 1 in)
 RATING: 8.1kVA AT 270V, 30A MAX
 TERMINATION: STUD TYPE, M6

REV	4				
	3				
	2				
	1	CHANGED TO WHEEL. LK 08/02/18			
CARROLL & MEYNELL TRANSFORMERS LIMITED TEL: 01642 617406 FAX: 01642 614178 enquires@carroll-meynell.com		TITLE VARIABLE TRANSFORMER 30A		DRAWN GB PROJECTION DATE 16/05/17	
ALL DIMENSIONS IN mm		DRAWN No 5972		SCALE NTS REV 1 PAGE 1/1	