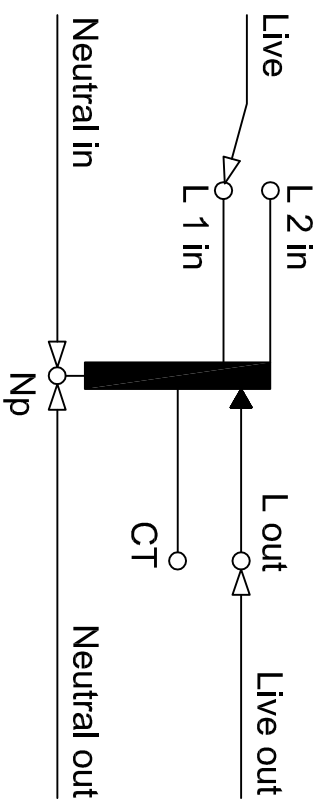
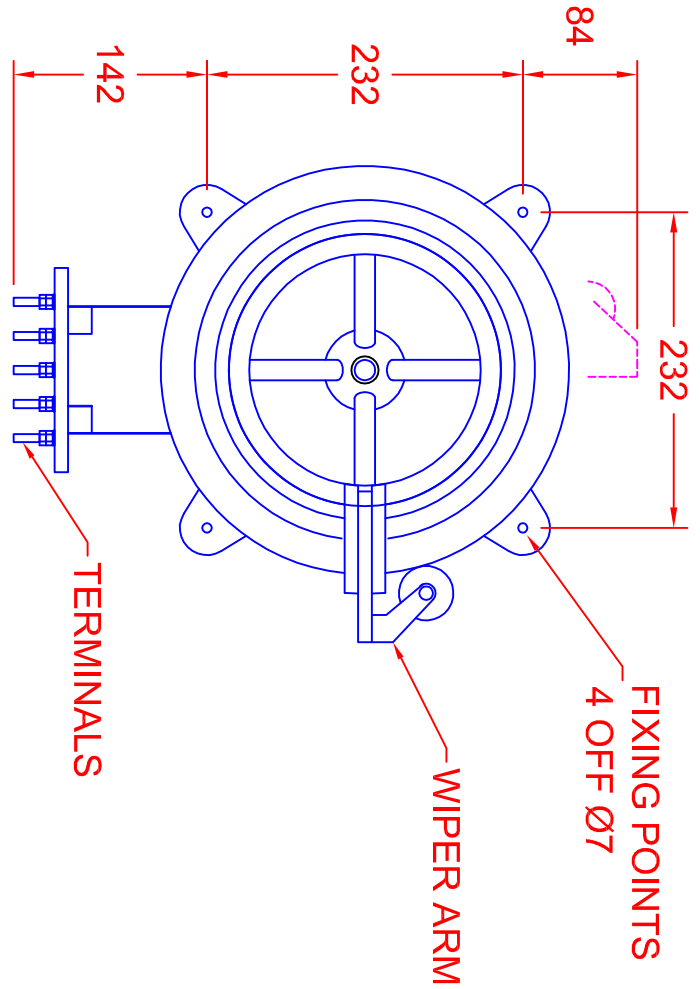
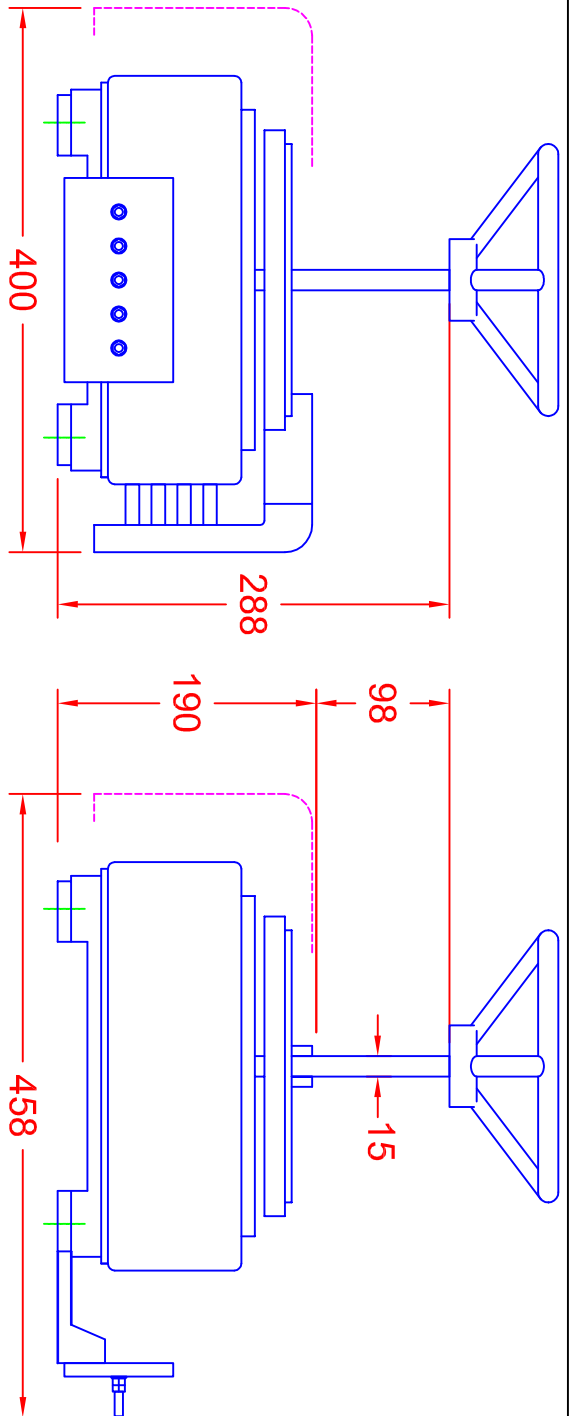


TOLERANCES (UNLESS SPECIFIED)	
0-10mm	±0.2mm
10.1-50mm	±0.5mm
50.1-250mm	±1.0mm
>250mm	±2.0mm



SINGLE PHASE VARIABLE AUTOTRANSFORMER
 MODEL: MVT7K/26A-1
 INPUT: UP TO 240V, 50/60Hz
 OUTPUT: 0-100% OF INPUT (USE L 2 in) OR 0-112% OF INPUT (USE L 1 in)
 RATING: 7KVA AT 270V, 26A MAX
 TERMINATION: STUD TYPE, M6

REV	4			
	3			
	2			
	1	CHANGED TO WHEEL. LK 08/02/18		
CARROLL & MEYNELL TRANSFORMERS LIMITED TEL: 01642 617406 FAX: 01642 614178 enquiries@carroll-meynell.com		TITLE VARIABLE TRANSFORMER 26A		
DRAWN GB		PROJECTION 		DATE 9/05/17
DRAW No 5969				REV 1
				PAGE 1/1
				SCALE NTS