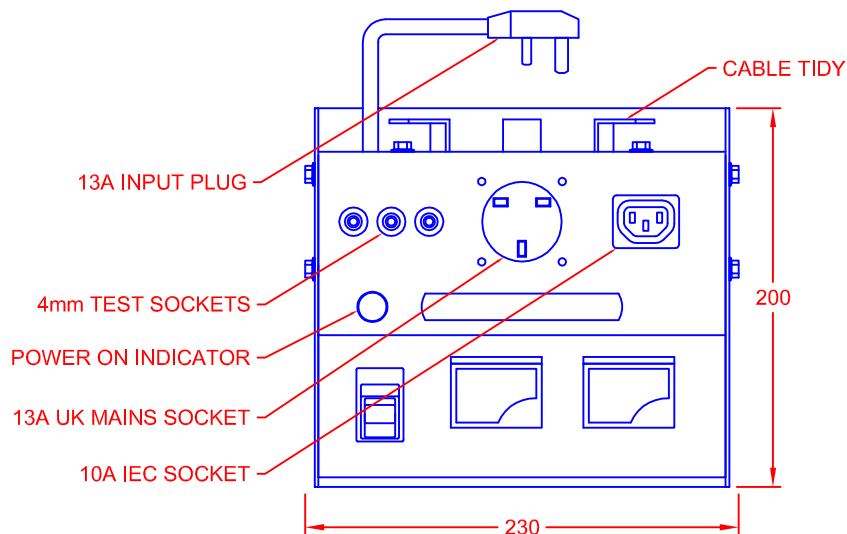
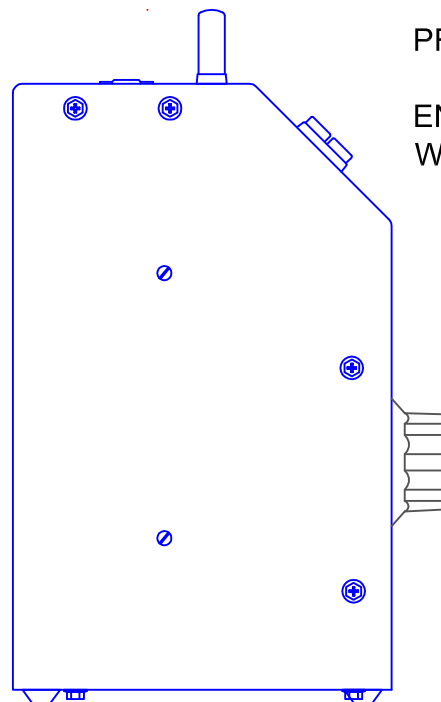
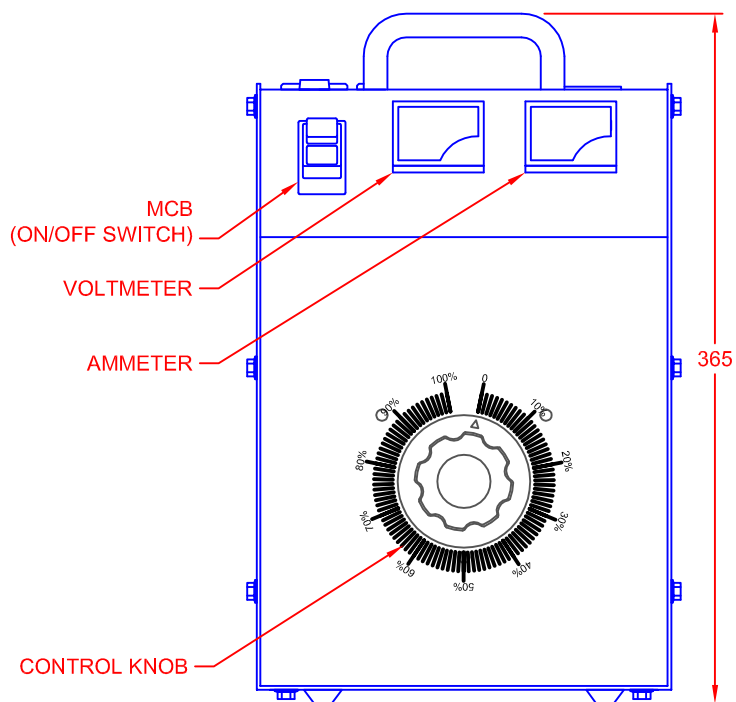


TOLERANCES (UNLESS SPECIFIED)	
0-10mm	±0.2mm
10.1-50mm	±0.5mm
50.1-250mm	±1.0mm
>250mm	±2.0mm



**SINGLE PHASE VARIABLE TRANSFORMER**  
**MODEL:** MVTC-UK9A (CARRYVOLT)  
**INPUT:** UP TO 240V, 50Hz  
**OUTPUT:** 0-112% OF INPUT  
 VIA 13A UK PLUG AND LEAD  
 VIA 13A UK SOCKET  
 10A IEC SOCKET  
 4mm TEST SOCKETS  
**RATING:** 9A MAX (2700VA AT 270V)  
**METERS:** VOLTMETER 0-300V  
 AMMETER 0-10A  
**PROTECTION:** 10A THERMOMAGNETIC MCB SWITCH  
 IN INPUT CIRCUIT  
**ENCLOSURE:** IP20  
**WEIGHT:** 16.5kg



REV	
4	
3	
2	
1	

**CARROLL & MEYNELL**  
 TRANSFORMERS LIMITED  
 TEL: 01642 617406 FAX: 01642 614178  
 enquiries@carroll-meynell.com

TITLE  
**CARRYVOLT  
 MVTC-UK9A**  
 ALL DIMENSIONS IN mm

DRAWN	PROJECTION	DATE	SCALE
GB		21/04/16	NTS
DRAW No	REV	PAGE	
5789	0	1/1	