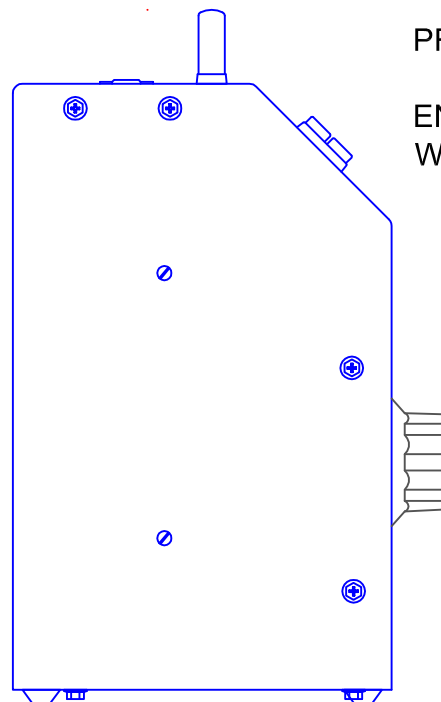
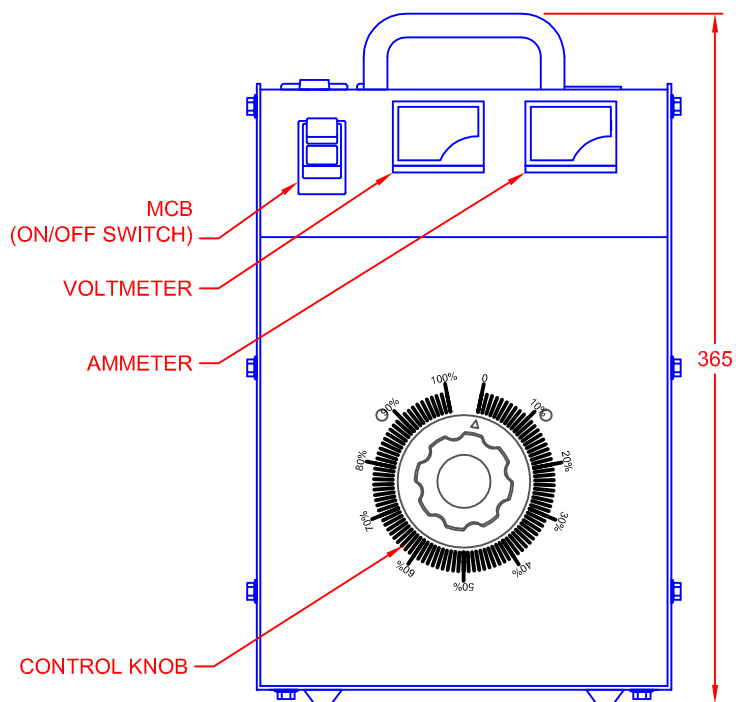
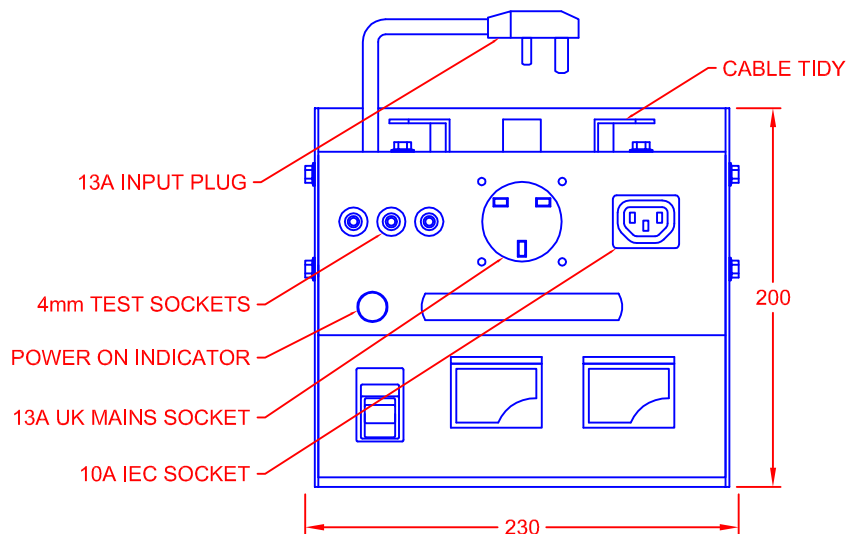


TOLERANCES (UNLESS SPECIFIED)	
0-10mm	±0.2mm
10.1-50mm	±0.5mm
50.1-250mm	±1.0mm
>250mm	±2.0mm



**SINGLE PHASE VARIABLE TRANSFORMER**

MODEL: MVTC-UK5A (CARRYVOLT)  
 INPUT: UP TO 240V, 50Hz  
 VIA 13A UK PLUG AND LEAD  
 OUTPUT: 0-112% OF INPUT  
 VIA 13A UK SOCKET  
 10A IEC SOCKET  
 4mm TEST SOCKETS  
 RATING: 5A MAX (1350VA AT 270V)  
 METERS: VOLTMETER 0-300V  
 AMMETER 0-5A  
 PROTECTION: 5A THERMOMAGNETIC MCB SWITCH  
 IN INPUT CIRCUIT  
 ENCLOSURE: IP20  
 WEIGHT: 16.5kg

REV	
4	
3	
2	
1	

**CARROLL & MEYNELL**  
 TRANSFORMERS LIMITED  
 TEL: 01642 617406 FAX: 01642 614178  
 enquiries@carroll-meynell.com

TITLE  
**CARRYVOLT  
 MVTC-UK5A**  
 ALL DIMENSIONS IN mm

DRAWN	PROJECTION	DATE	SCALE
GB		20/04/16	NTS
DRAW No	REV	PAGE	
5788	0	1/1	