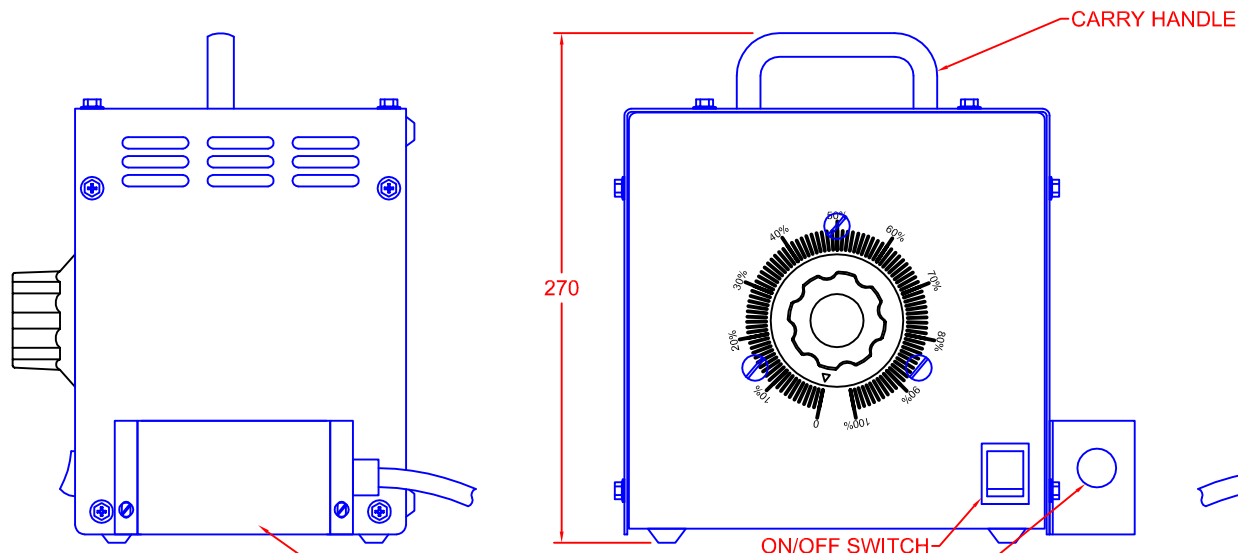


TOLERANCES (UNLESS SPECIFIED)	
0-10mm	±0.2mm
10.1-50mm	±0.5mm
50.1-250mm	±1.0mm
>250mm	±2.0mm



TERMINAL COVER

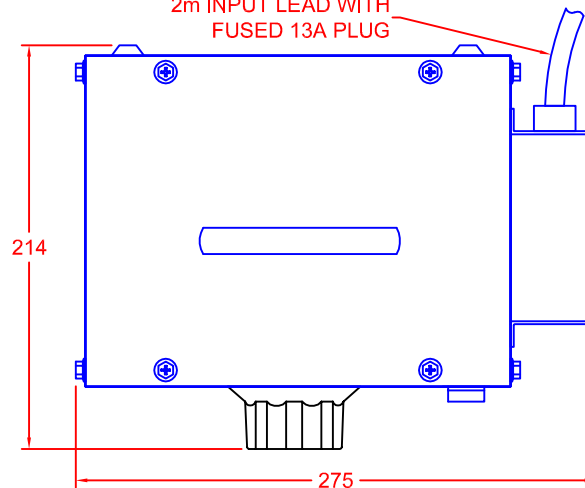
CARRY HANDLE

270

ON/OFF SWITCH

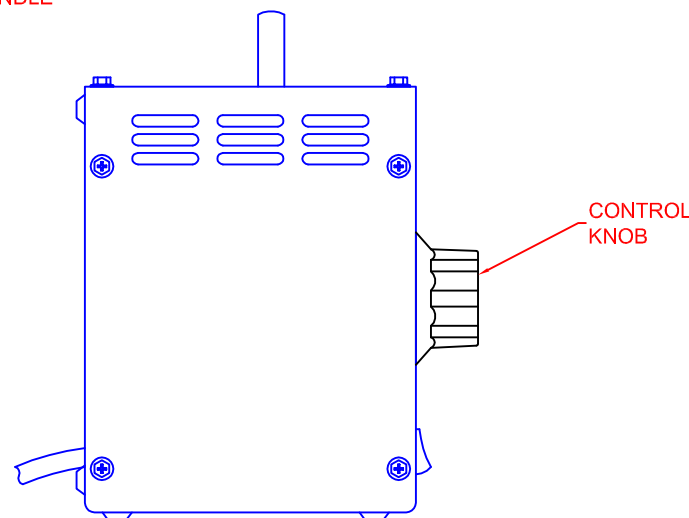
Ø20mm KNOCKOUT  
FOR GLANDING

2m INPUT LEAD WITH  
FUSED 13A PLUG

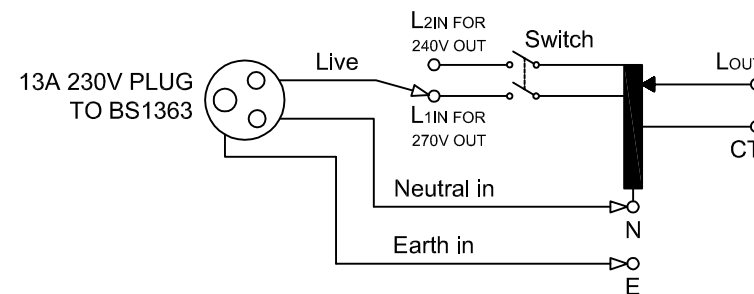


214

275



CONTROL  
KNOB



**SINGLE PHASE VARIABLE AUTOTRANSFORMER**

MODEL: MVT2.5k/9A-1E  
 INPUT: UP TO 240V, 50/60Hz  
 OUTPUT: 0-100% OF INPUT (USE L2 240V) OR  
 0-112% OF INPUT (USE L1 270V)  
 RATING: 2.5kVA AT 270V, 9A MAX  
 TERMINATION: M6 STUDS FOR RING CRIMPS  
 ENCLOSURE: IP20

REV	
4	
3	
2	
1	WIRING DIAGRAM, GB 16/03/16

**CARROLL & MEYNELL**  
 TRANSFORMERS LIMITED  
 TEL: 01642 617406 FAX: 01642 614178  
 enquiries@carroll-meynell.com

TITLE  
**VARIABLE TRANSFORMER  
 ENCLOSED, 9A**  
 ALL DIMENSIONS IN mm

DRAWN	PROJECTION	DATE	SCALE
GB		3/02/15	NTS
DRAW No	REV	PAGE	
5774	1	1/1	