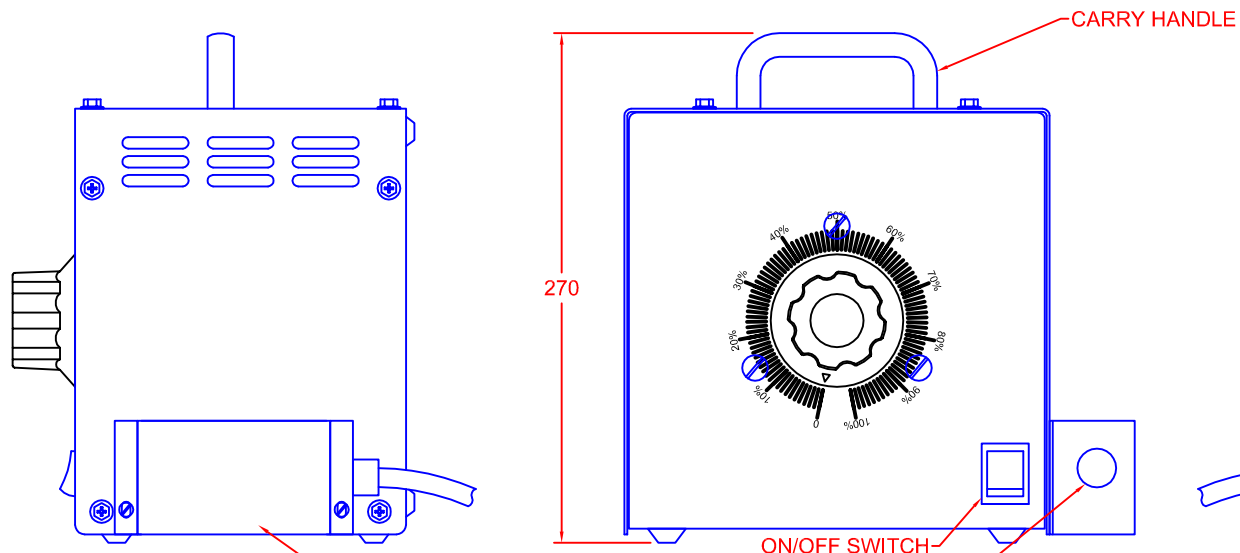


TOLERANCES (UNLESS SPECIFIED)	
0-10mm	±0.2mm
10.1-50mm	±0.5mm
50.1-250mm	±1.0mm
>250mm	±2.0mm

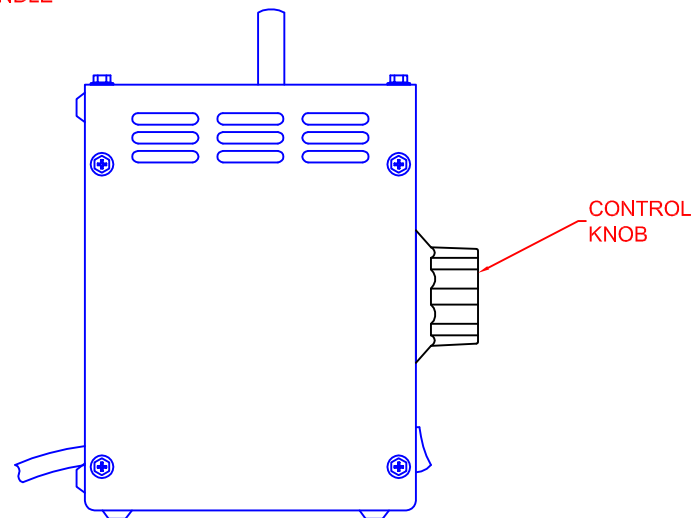
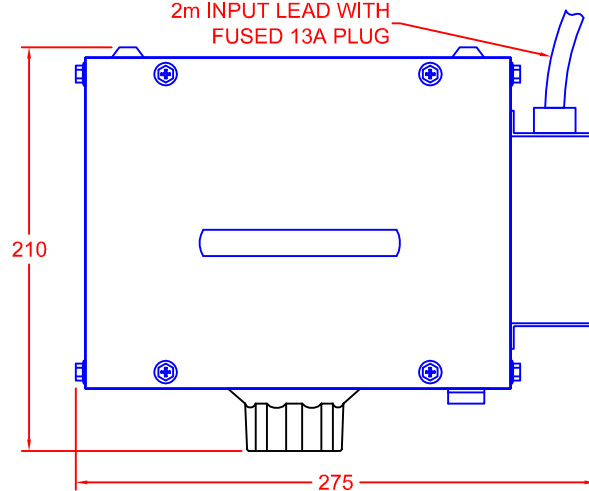


TERMINAL COVER

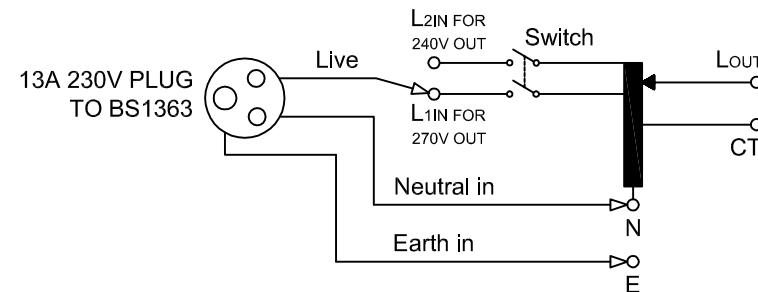
ON/OFF SWITCH

Ø20mm KNOCKOUT
FOR GLANDING

2m INPUT LEAD WITH
FUSED 13A PLUG



CONTROL
KNOB



SINGLE PHASE VARIABLE AUTOTRANSFORMER

MODEL: MVT1.4k/5A-1E
INPUT: UP TO 240V, 50/60Hz
OUTPUT: 0-100% OF INPUT (USE L2 240V) OR
0-112% OF INPUT (USE L1 270V)
RATING: 1.4kVA AT 270V, 5A MAX
TERMINATION: M6 STUDS FOR RING CRIMPS
ENCLOSURE: IP20

REV	
4	
3	
2	
1	WIRING DIAGRAM, GB 16/03/16

CARROLL & MEYNELL
TRANSFORMERS LIMITED
TEL: 01642 617406 FAX: 01642 614178
enquiries@carroll-meynell.com

TITLE
**VARIABLE TRANSFORMER
ENCLOSED, 5A**
ALL DIMENSIONS IN mm

DRAWN	PROJECTION	DATE	SCALE
GB		3/02/15	NTS
DRAW No	REV	PAGE	
5773	1	1/1	