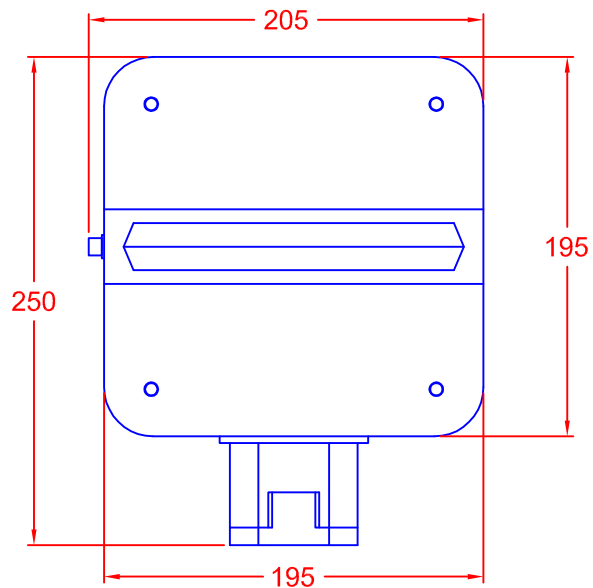
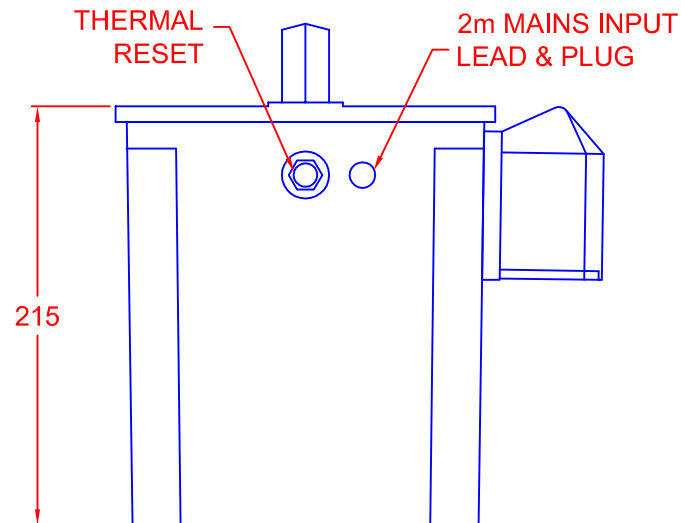
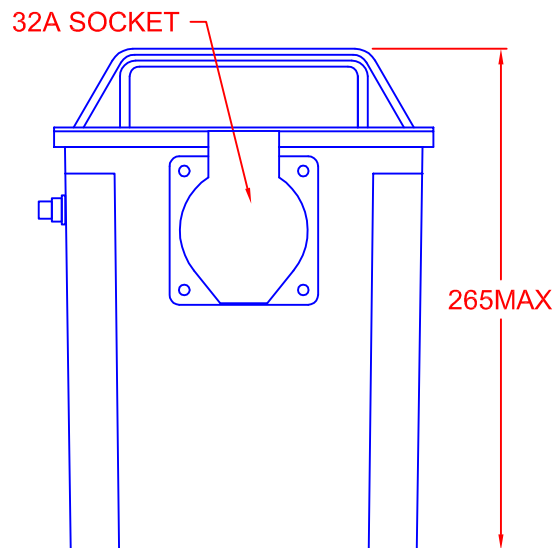


TOLERANCES (UNLESS SPECIFIED)	
0-10mm	±0.2mm
10.1-50mm	±0.5mm
50.1-250mm	±1.0mm
>250mm	±2.0mm



PORTABLE TOOLS TRANSFORMER

TYPE: ISOLATION

INPUT: 230V 50Hz

OUTPUT: 55-0-55V

RATING: CENTER TAP EARTHED
3.3KVA INTERMITTENT
5MINS ON 15MINS OFF

THERMAL CUT-OUT: 10A

OUTPUT SOCKET: 32A BS EN 60309

INPUT PLUG: 13A BS1363

ENCLOSURE: GRP

COLOUR: RATED IP55
YELLOW

REV	
4	
3	
2	
1	SOCKET MOD, GB 18/11/08

CARROLL & MEYNELL
TRANSFORMERS LIMITED
TEL: 01642 617406 FAX: 01642 614178
enquiries@carroll-meynell.com

TITLE
PORTABLE TOOL TRANSFORMER CM33001
ALL DIMENSIONS IN mm

DRAWN	PROJECTION	DATE	SCALE
SH		26/4/8	NTS
DRAW No	REV	PAGE	
3260	1	1/1	