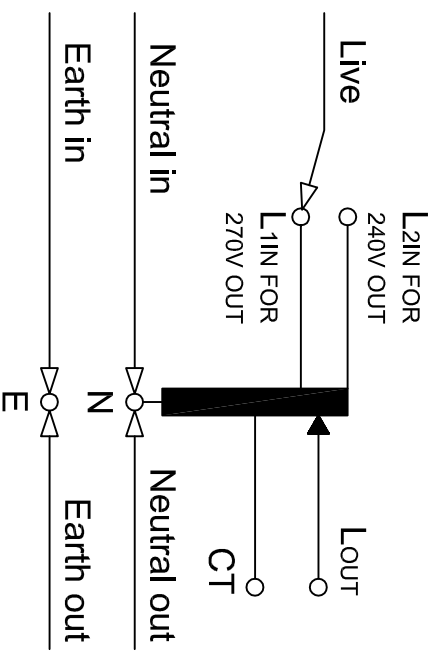
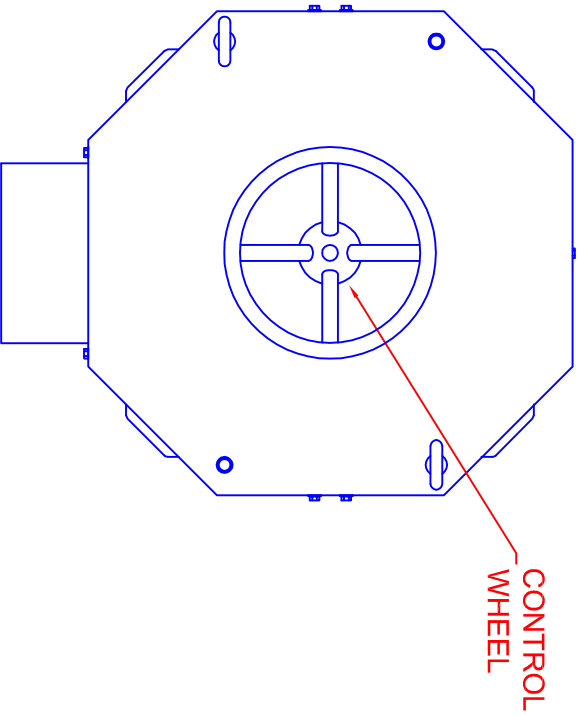
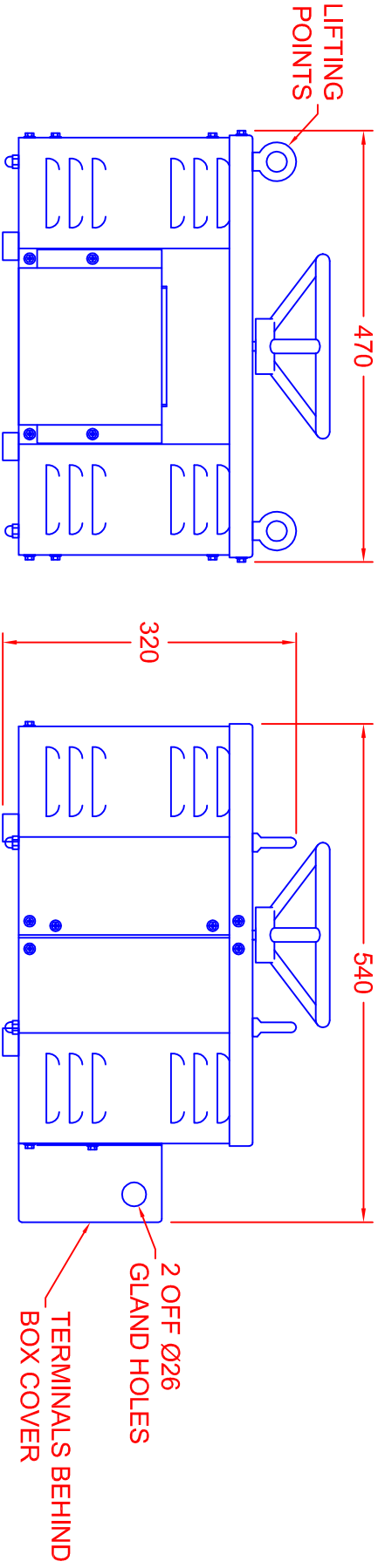


TOLERANCES (UNLESS SPECIFIED)	
0-10mm	±0.2mm
10.1-50mm	±0.5mm
50.1-250mm	±1.0mm
>250mm	±2.0mm



SINGLE PHASE VARIABLE AUTOTRANSFORMER

MODEL: MVT7K/26A-1E

INPUT: UP TO 240V, 50/60Hz

OUTPUT: 0-100% OF INPUT (USE L 2 in) OR 0-112% OF INPUT (USE L 1 in)

RATING: 7KVA AT 270V, 26A MAX

TERMINATION: M6 STUDS

ENCLOSURE: IP20

ALL DIMENSIONS IN mm

REV	4	TITLE	DRAWN	PROJECTION	DATE	SCALE
	3	VARIABLE TRANSFORMER	GB	1ST ANGLE	15/01/18	NTS
	2	ENCLOSED, 26A	DRAW No		REV	PAGE
	1	CHANGED TO WHEEL. LK 08/02/18	10097		1	1/1

CARROLL & MEYNELL

TRANSFORMERS LIMITED

TEL: 01642 617406

FAX: 01642 614178

enquiries@carroll-meynell.com