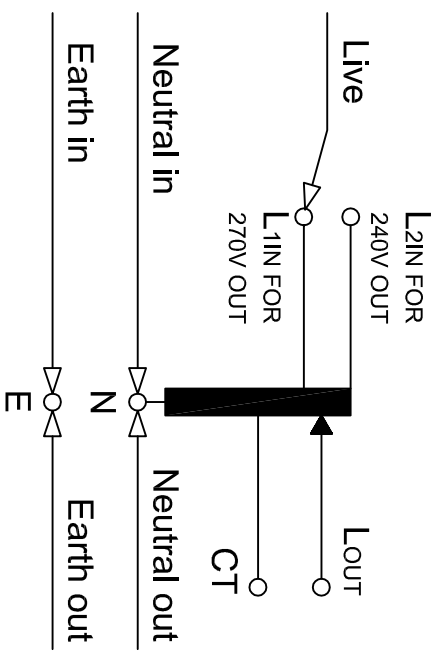
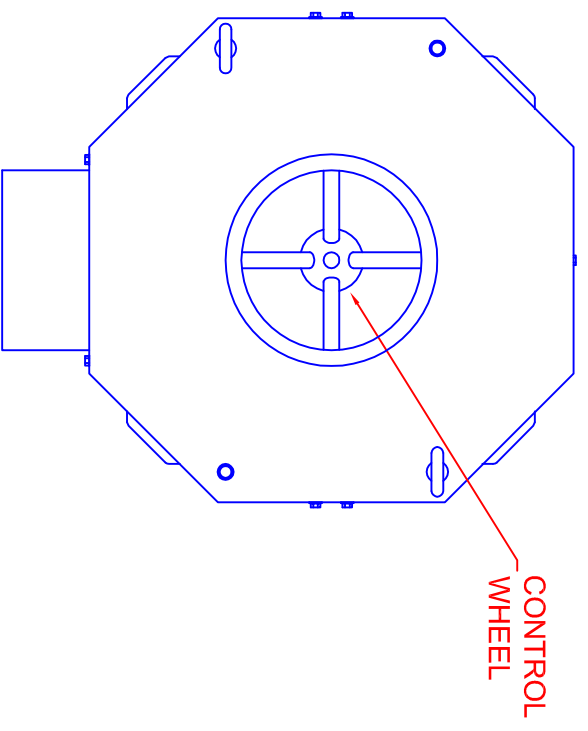
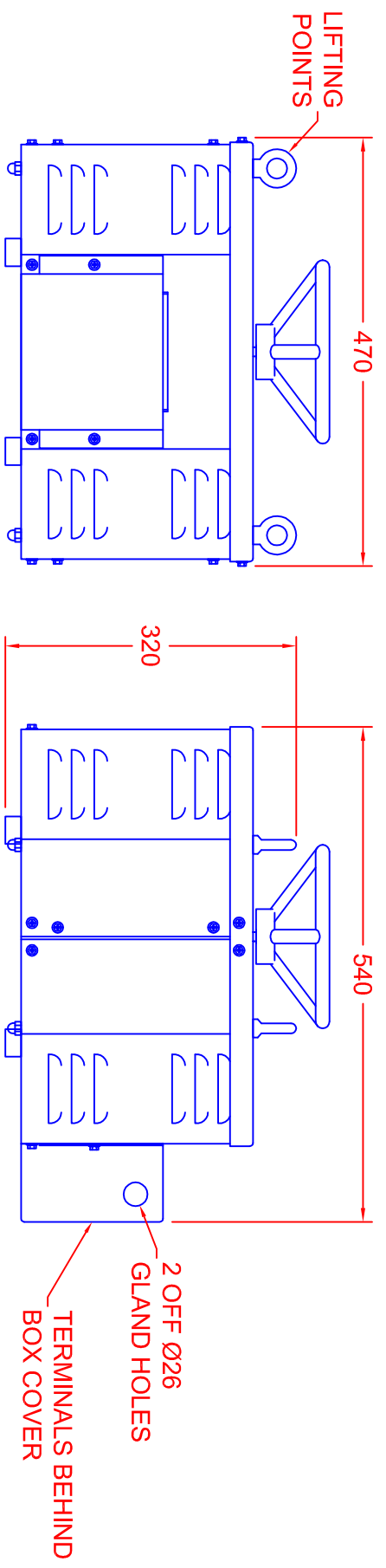


TOLERANCES (UNLESS SPECIFIED)	
0-10mm	±0.2mm
10.1-50mm	±0.5mm
50.1-250mm	±1.0mm
>250mm	±2.0mm



SINGLE PHASE VARIABLE AUTOTRANSFORMER  
 MODEL: MVT8.1K/30A-1E  
 INPUT: UP TO 240V, 50/60Hz  
 OUTPUT: 0-100% OF INPUT (USE L 2 in) OR  
 0-112% OF INPUT (USE L 1 in)  
 RATING: 8.1kVA AT 270V, 30A MAX  
 TERMINATION: M6 STUDS  
 ENCLOSURE: IP20

REV	4	TITLE	VARIABLE TRANSFORMER	DRAWN	GB	PROJECTION	DATE	SCALE
	3		ENCLOSED, 30A				15/01/18	NTS
	2			DRAW No	10096		REV	PAGE
	1		ALL DIMENSIONS IN mm				1	1/1
		<b>CARROLL &amp; MEYNELL</b> TRANSFORMERS LIMITED TEL: 01642 617406 FAX: 01642 614178 enquires@carroll-meynell.com						
		CHANGED TO WHEEL. LK 08/02/18						